

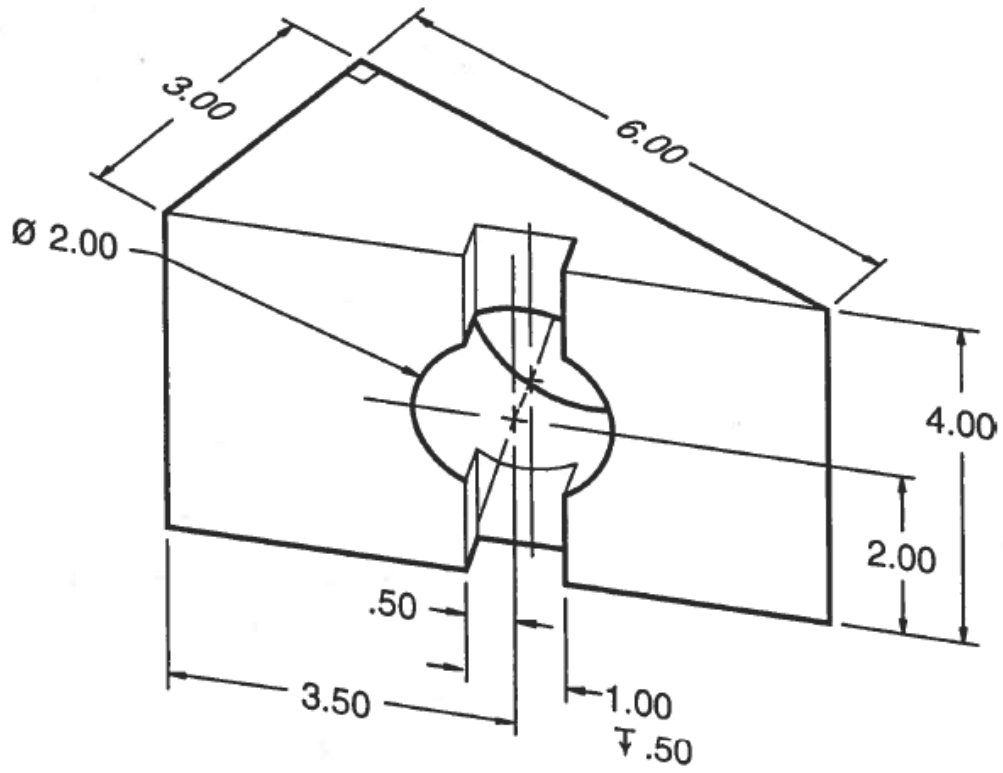
**The Great Computer Challenge**  
**2016**  
**CAD**  
*Level IV*

8 pages total

- **For each of the following 7 parts (do as many as you can in the allotted time) you will create two drawings:**
  - A 3-D model of each of the shown parts.
  - The necessary orthographic views with dimensions.
- Make reasonable assumptions for any missing dimensions or information.
- Insert a title block for each drawing and include all the information pertaining to your team and your school.
- Be sure to save your work and open all drawings when finished for judging. If you have a printer you may print them out for judging.

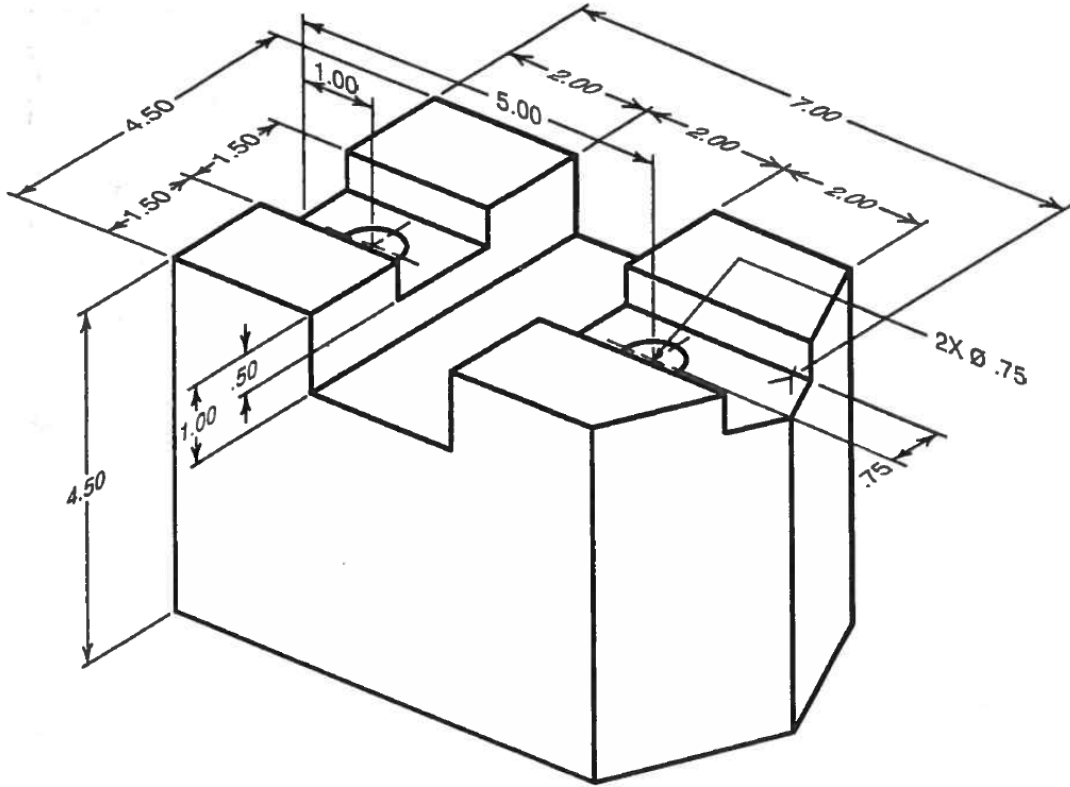
**Part 1**

**Inches**



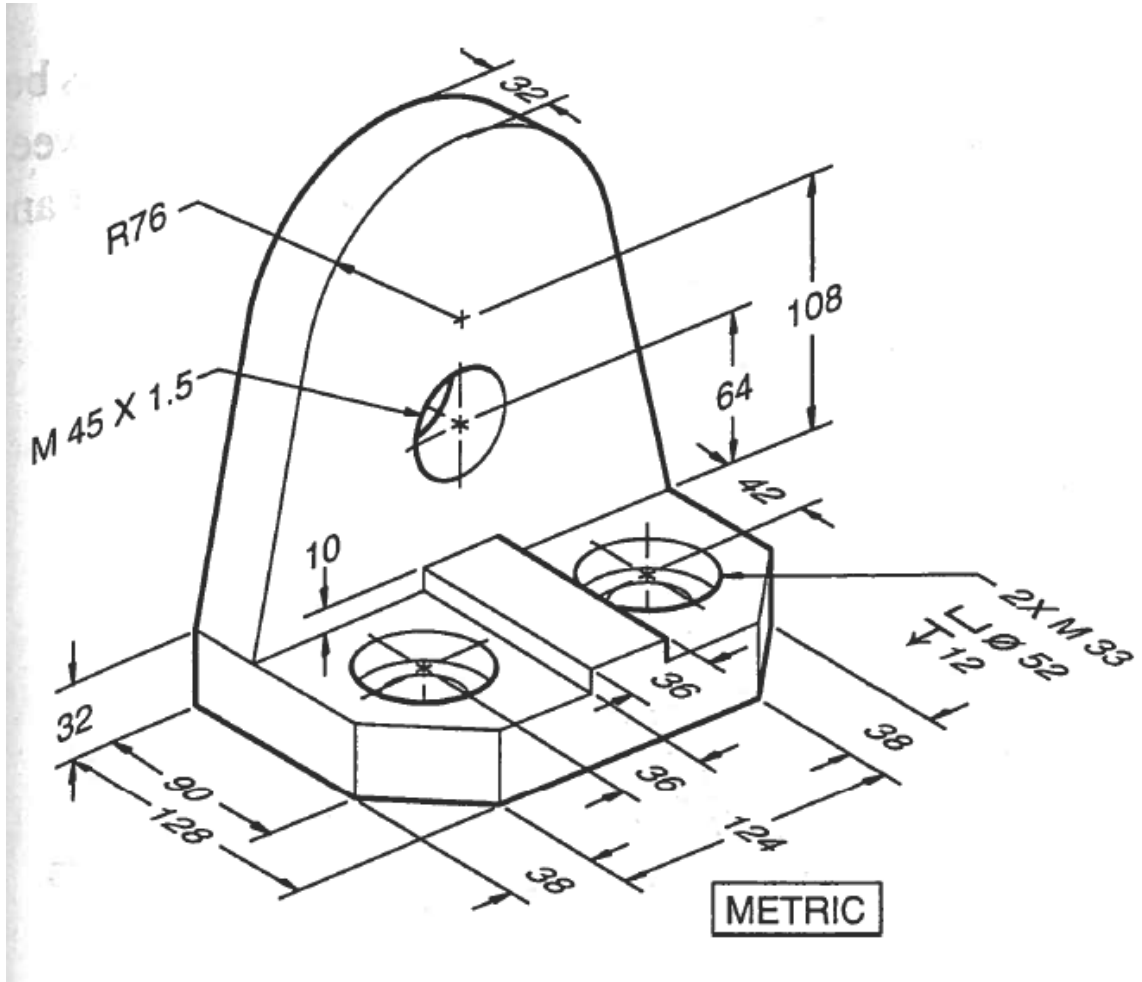
Part 2

inches



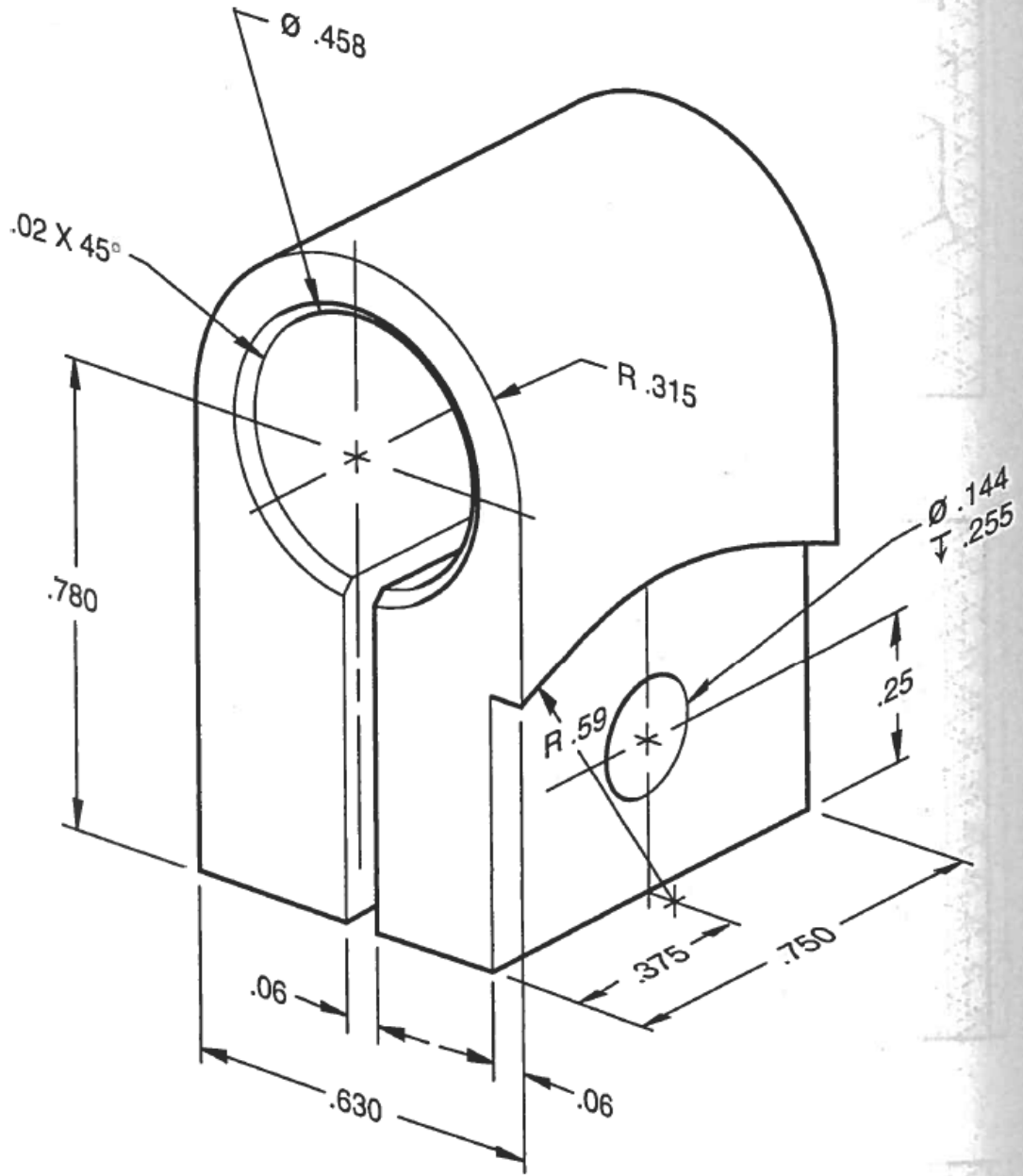
### Part 3

millimeters



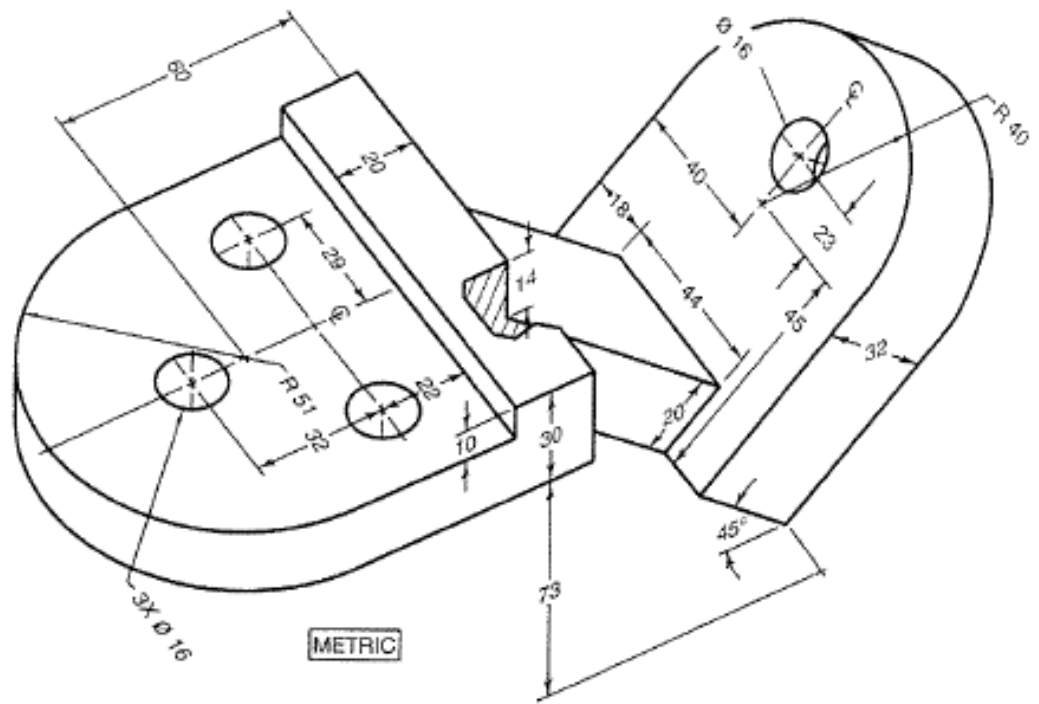
Part 4

inches



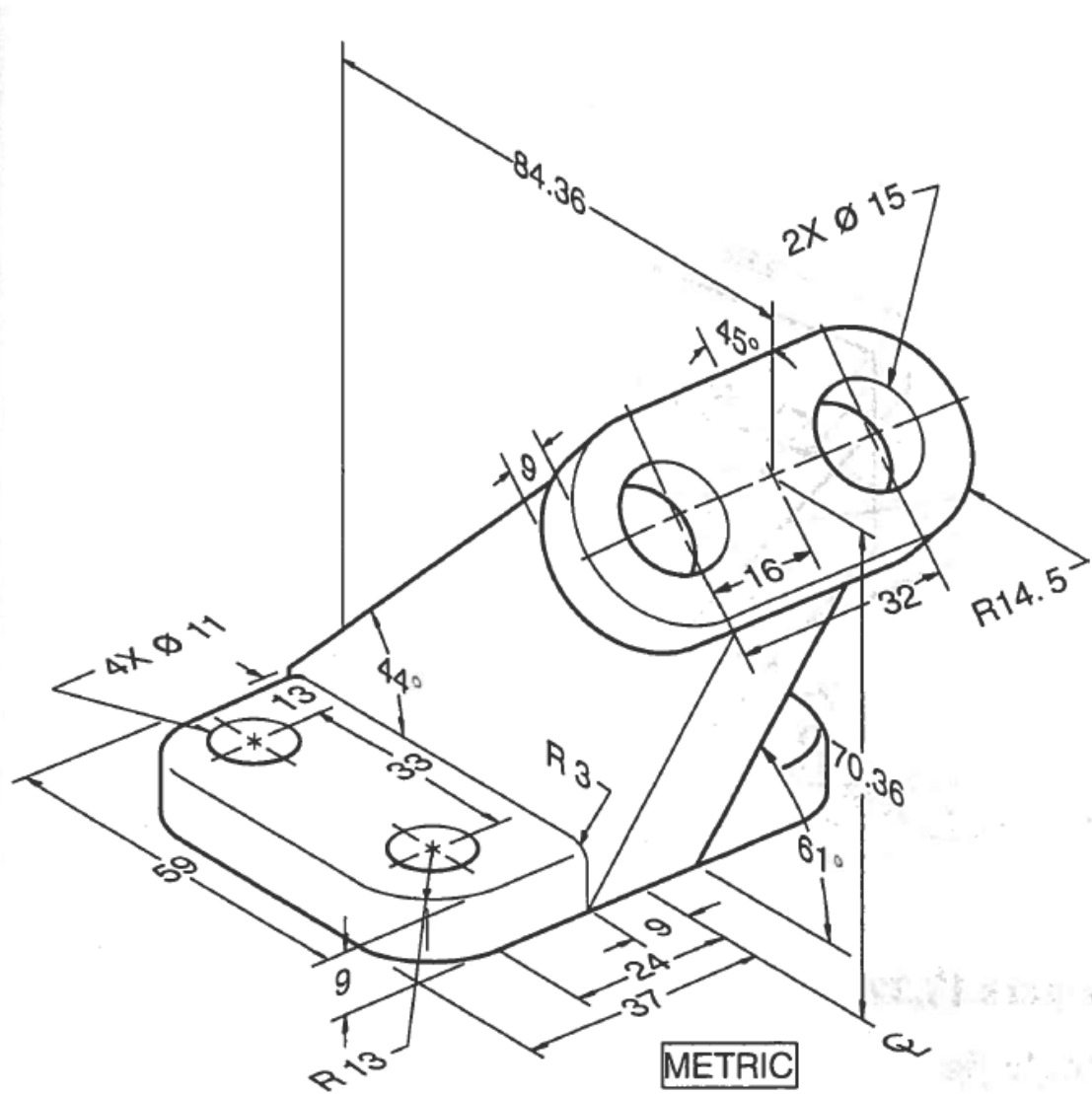
**Part 5**

**millimeters**



Part 6

millimeters



**Part 7**

**inches**

