

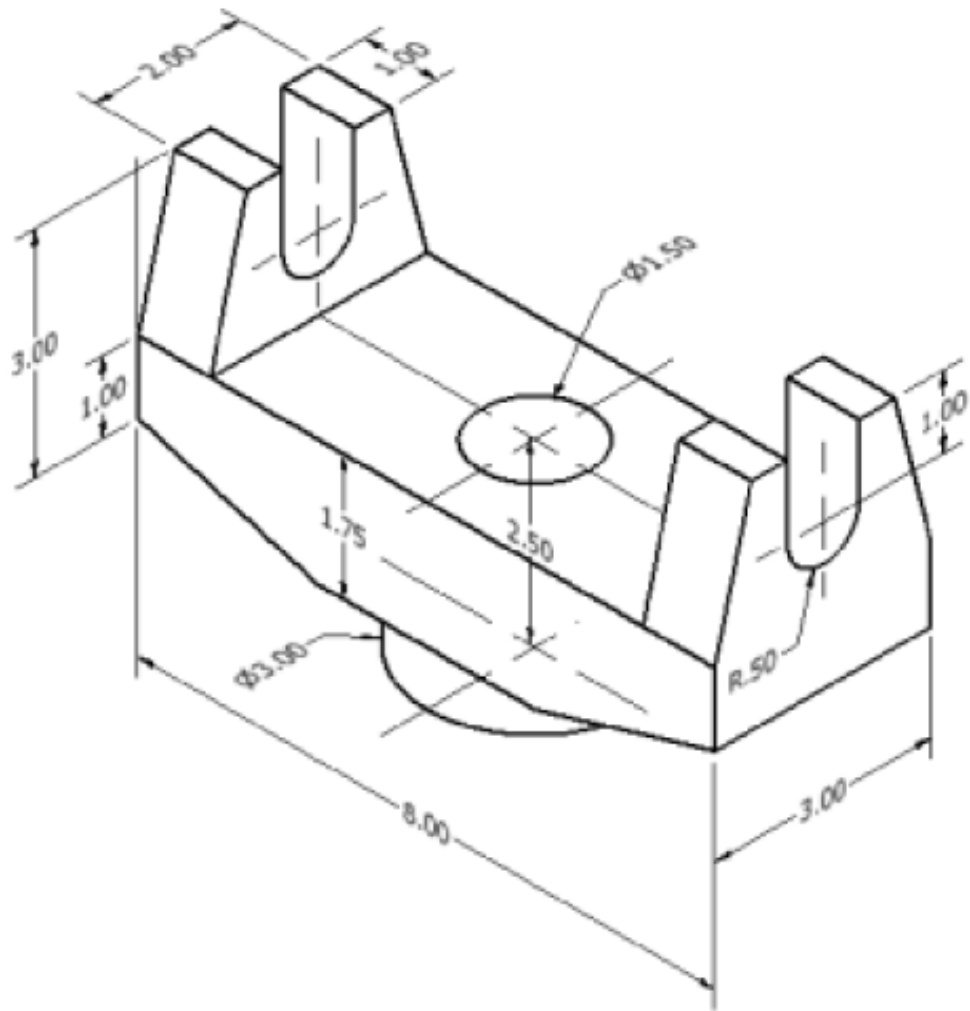
The Great Computer Challenge
2014
CAD
Level IV

- **For each part you will create two drawings**
 - Create a 3-D model of each of the shown parts.
 - Create the necessary orthographic views with dimensions.
- Make reasonable assumptions for any missing dimensions or information.
- Insert a title block for each drawing and include all the information pertaining to your team and your school.
- Be sure to save your work and open all drawings when finished for judging. If you have a printer you may print them out for judging.
- Create as many drawings as you can in the time allowed.

Good luck

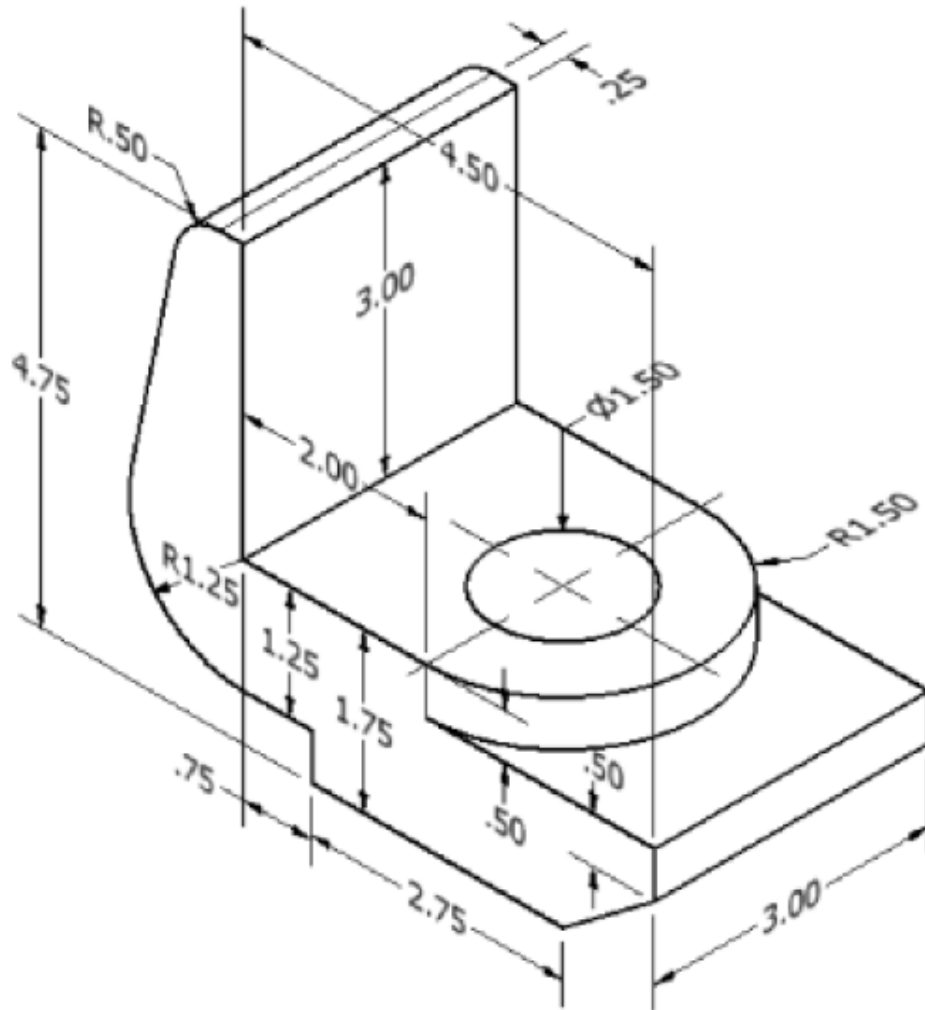
Drawing 1

Inches



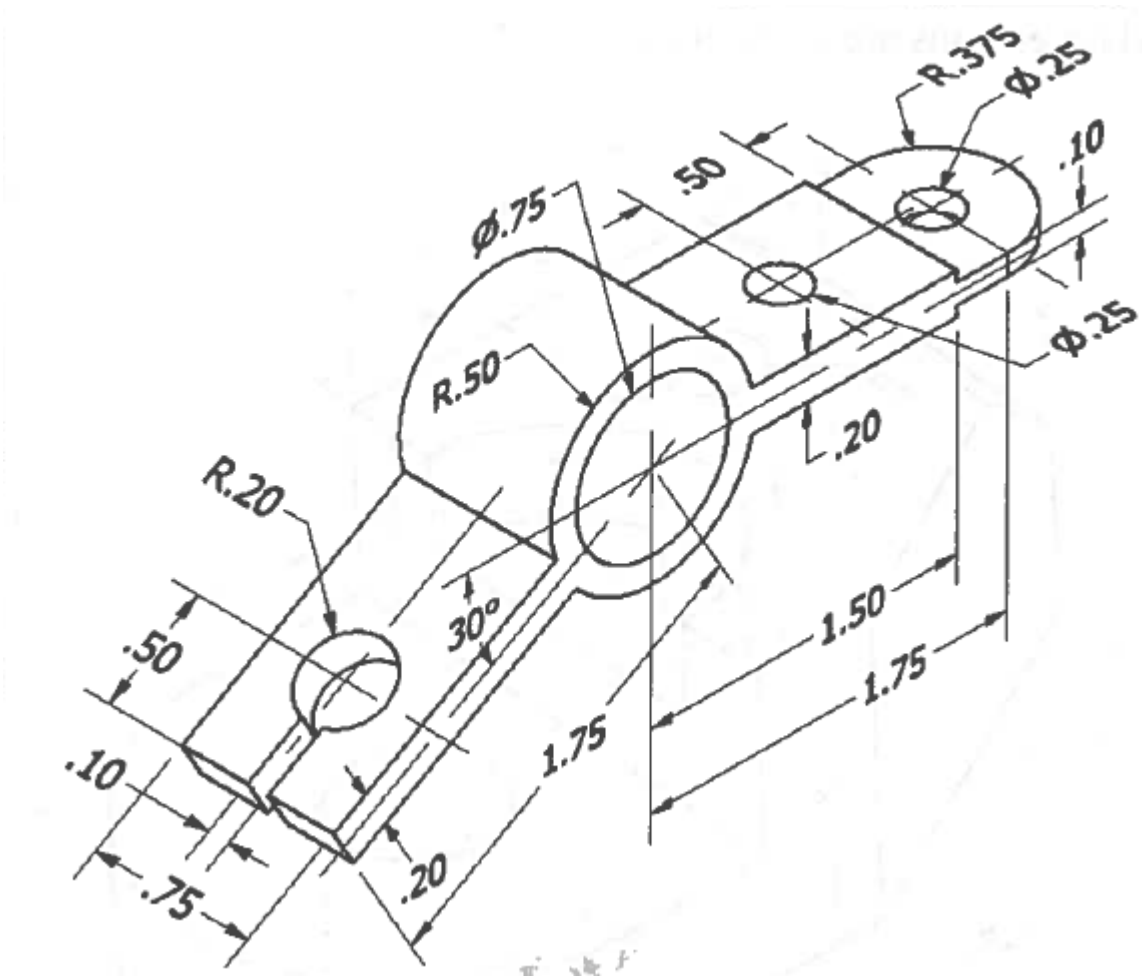
Drawing 2

inches



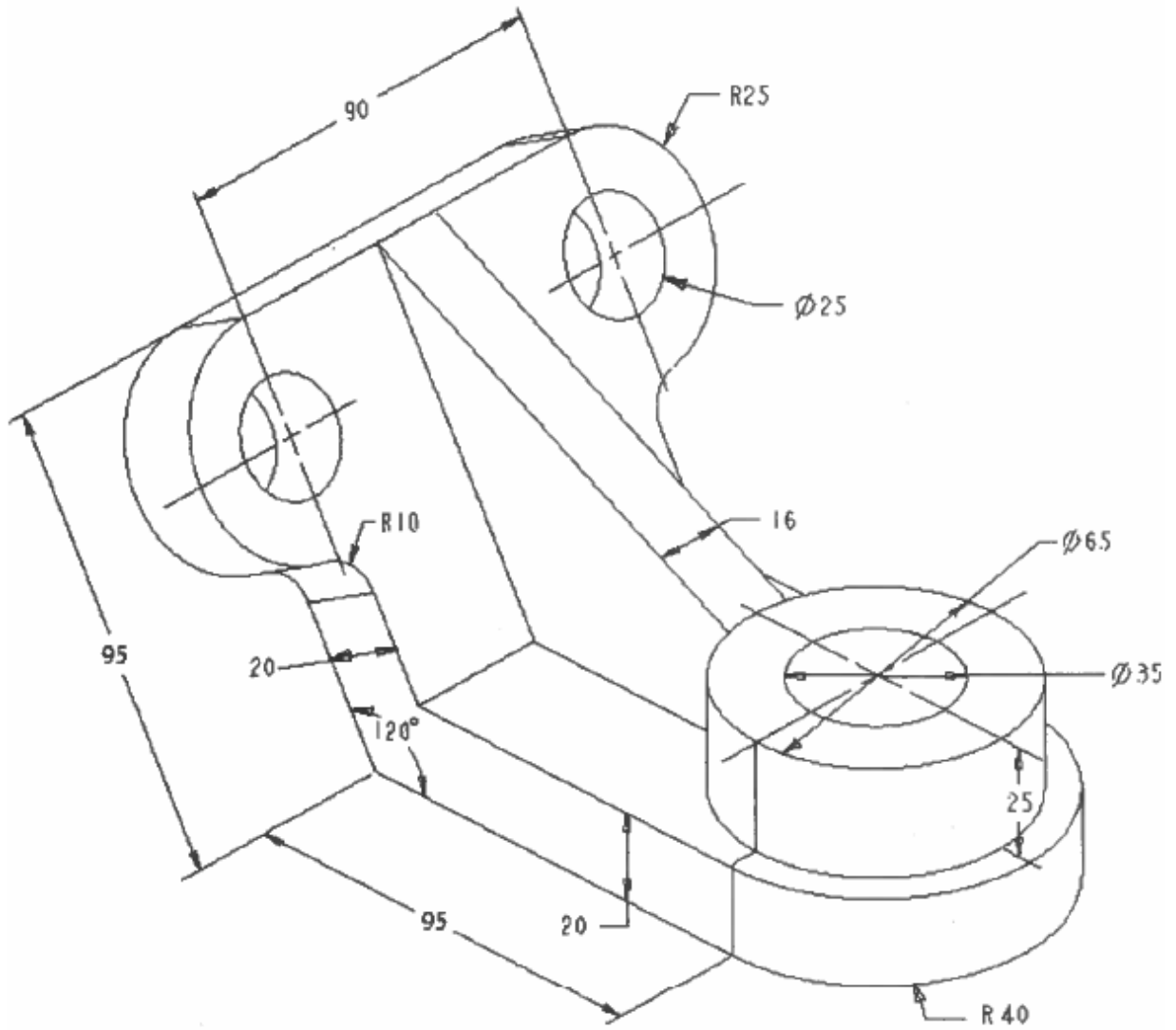
Drawing 3

inches



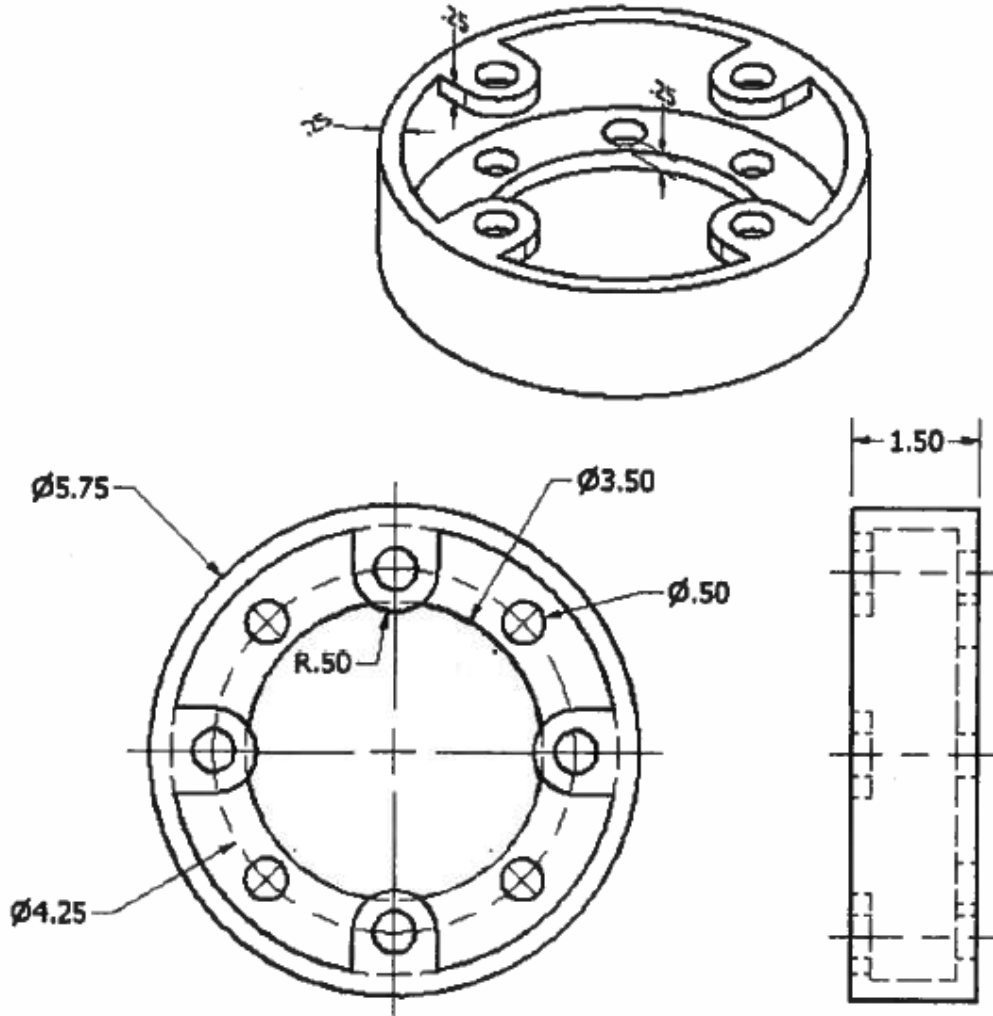
Drawing 4

millimeters



Drawing 5

inches



Drawing 6

inches

