

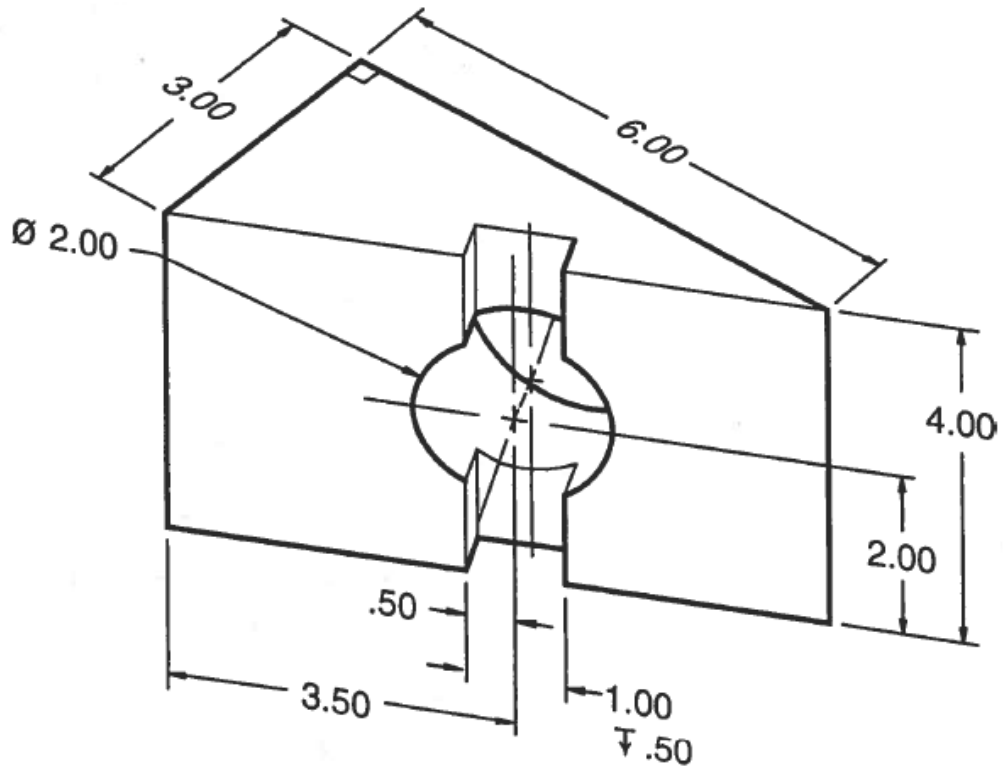
**The Great Computer Challenge**  
**2013**  
**CAD**  
*Level IV*

- **For each part you will create two drawings**
  - Create a 3-D model of each of the shown parts.
  - Create the necessary orthographic views with dimensions.
- Make reasonable assumptions for any missing dimensions or information.
- Insert a title block for each drawing and include all the information pertaining to your team and your school.
- Be sure to save your work and open all drawings when finished for judging. If you have a printer you may print them out for judging.
- Create as many drawings as you can in the time allowed.

Good luck

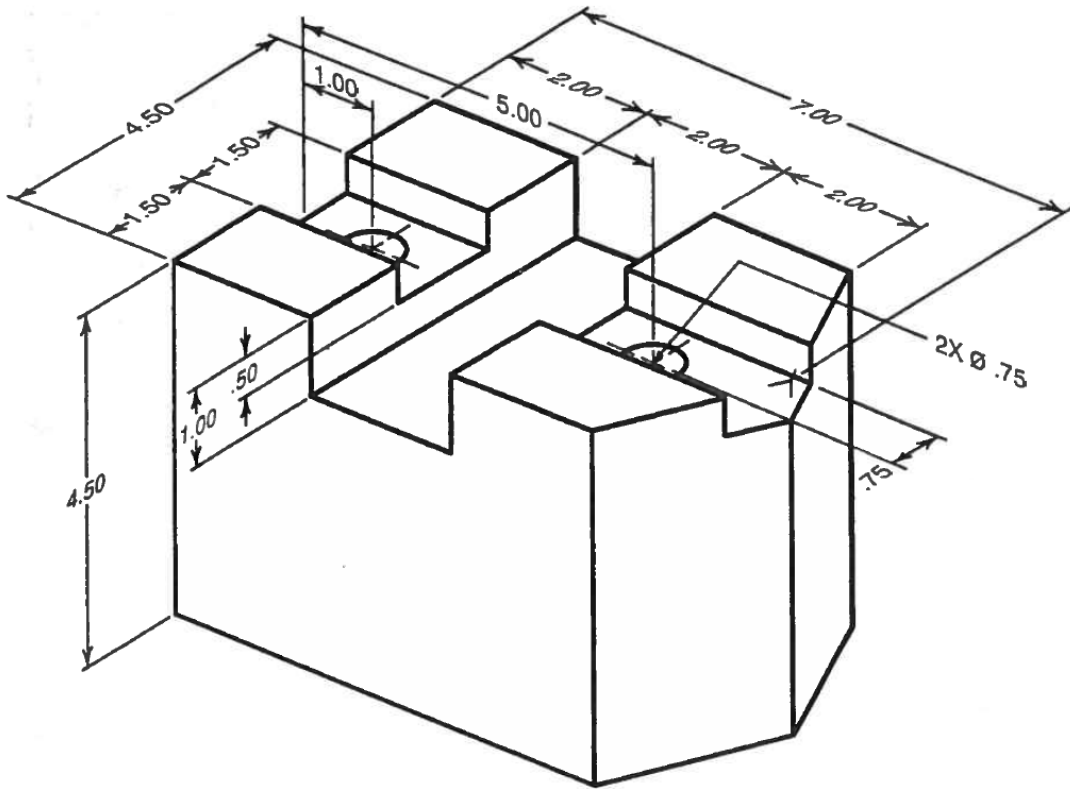
# Drawing 1

Inches



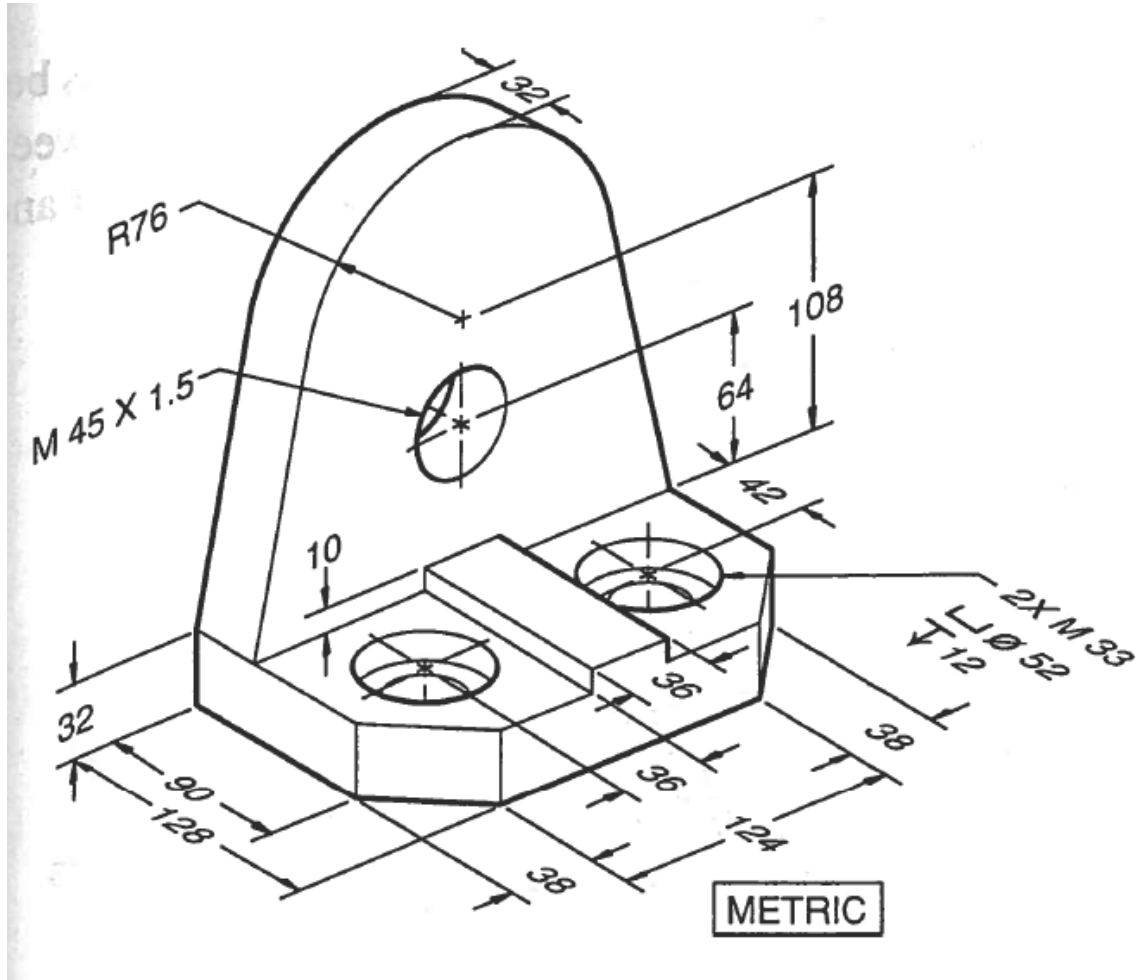
# Drawing 2

inches



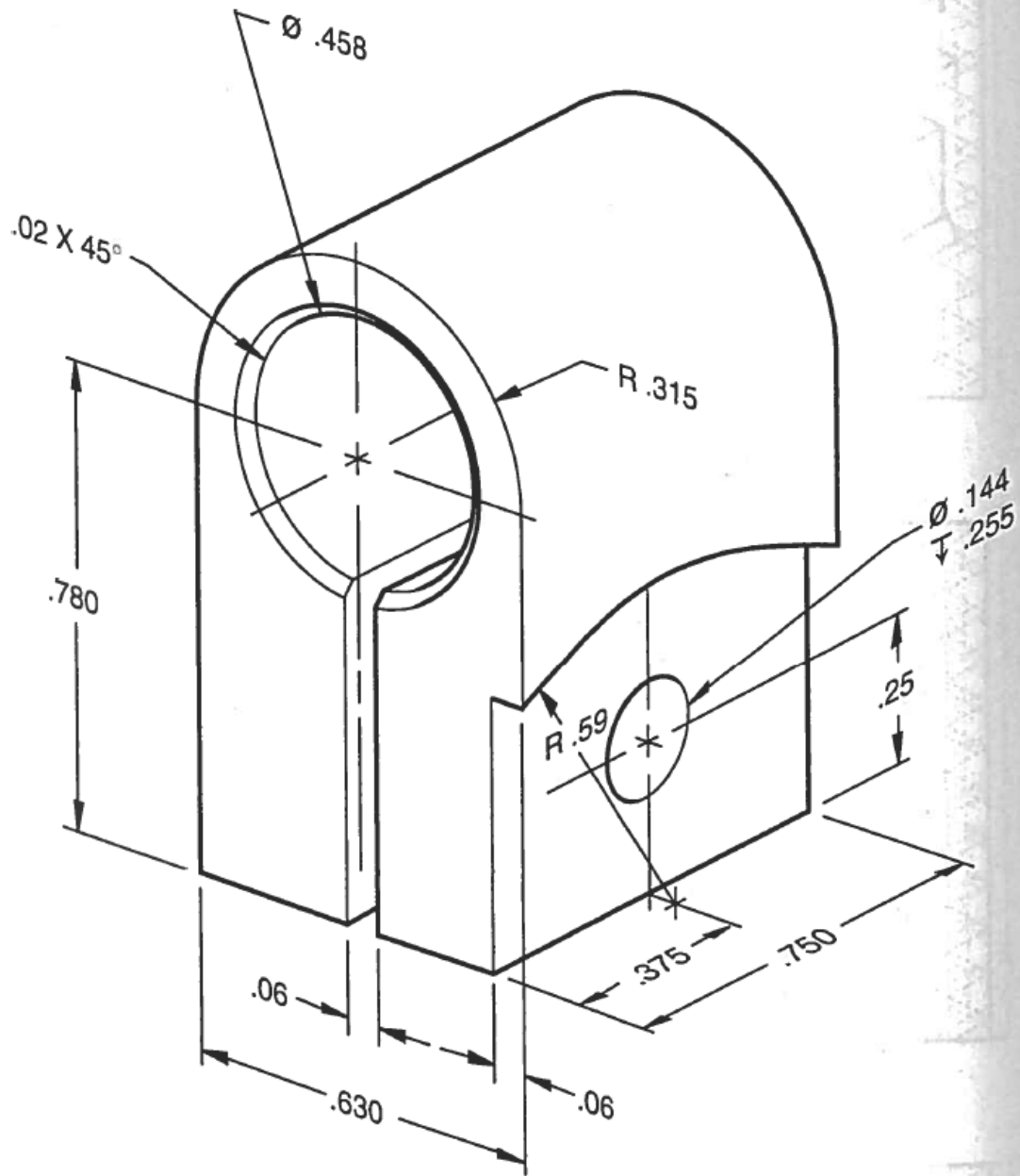
# Drawing 3

millimeters



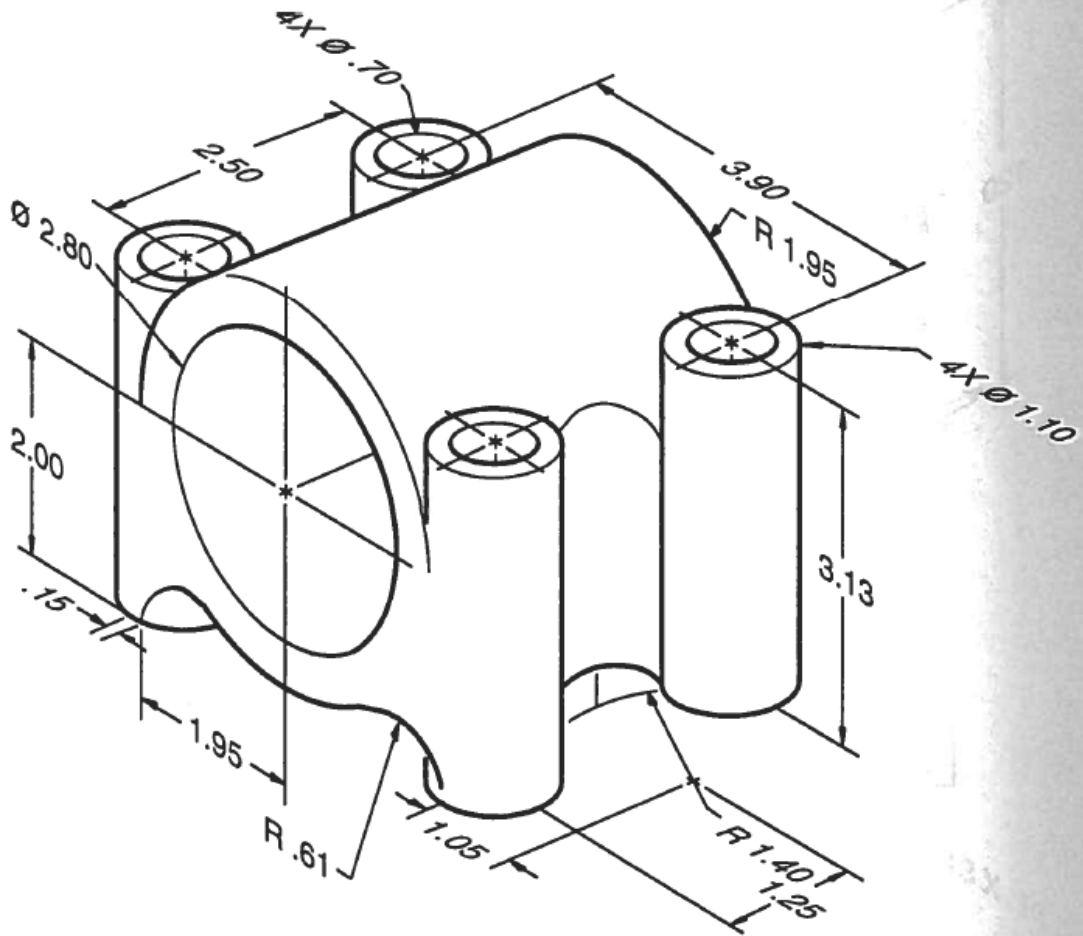
# Drawing 4

inches



# Drawing 5

inches



**Drawing 6**

**millimeters**

