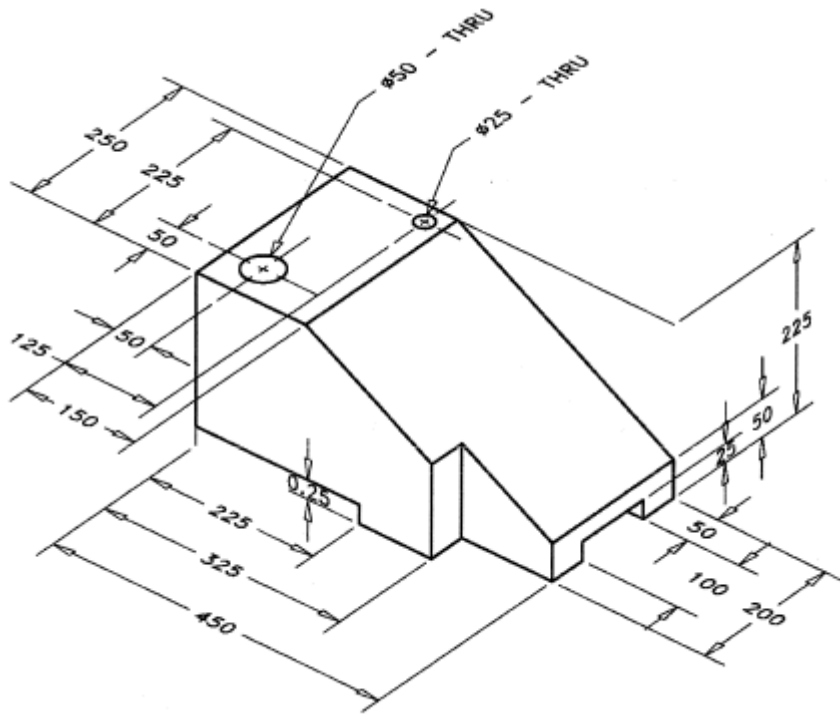


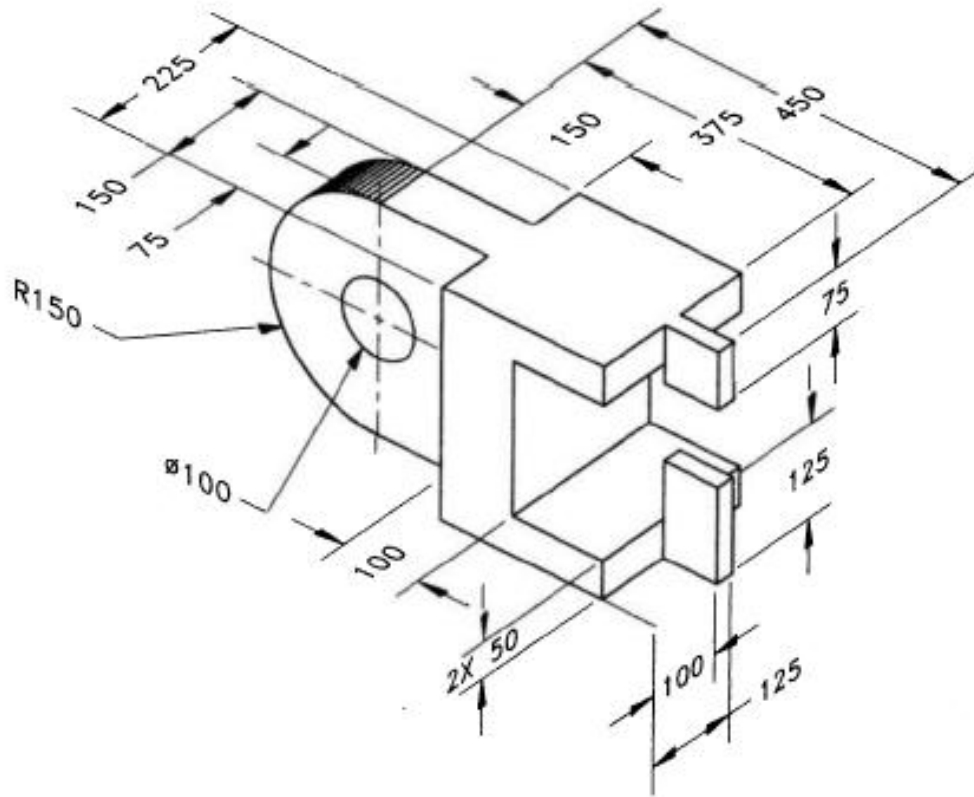
**The Great Computer Challenge**  
**2011**  
**CAD**  
*Level IV*

- **For each part you will create two drawings**
    - Create a 3-D model of each of the shown parts.
    - Create the necessary orthographic views with dimensions.
  - Make reasonable assumptions for any missing dimensions or information.
  - Insert a title block for each drawing and include all the information pertaining to yourself and your school.
  - You can reuse the title block template and just change the name and number of the drawing.
  - Print your finished work on 8 1/2 x 11 papers and make sure to preview your plot before you send it to the printer.
  - Create as many drawings as you can in the time allowed.
- Good luck

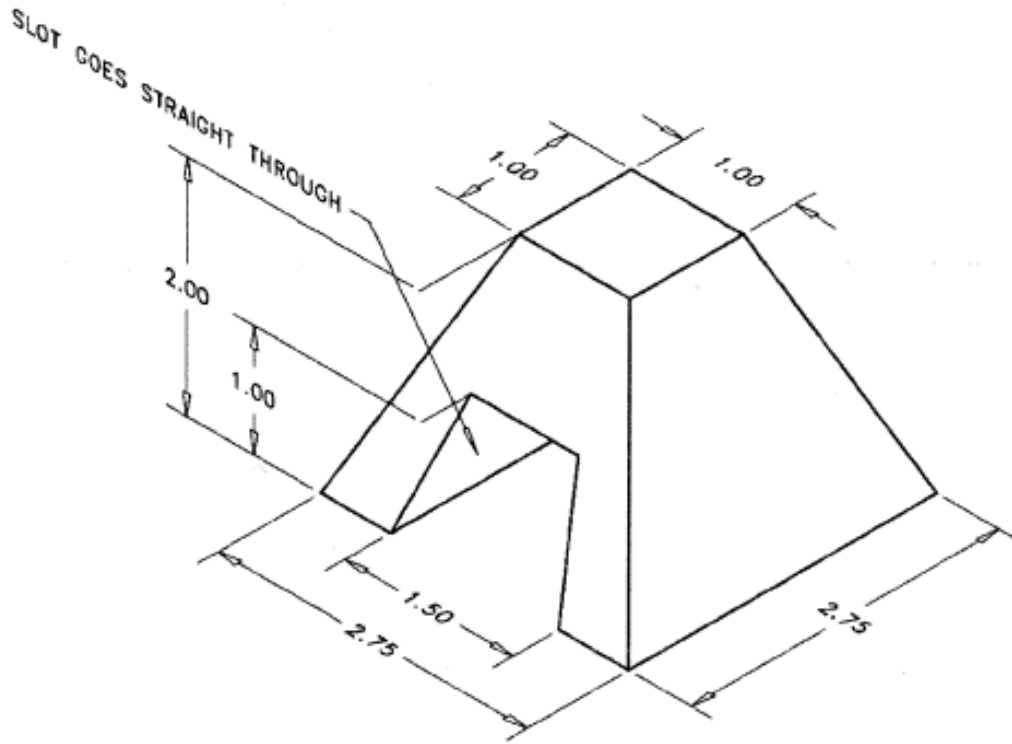
# Drawing 1



## Drawing 2

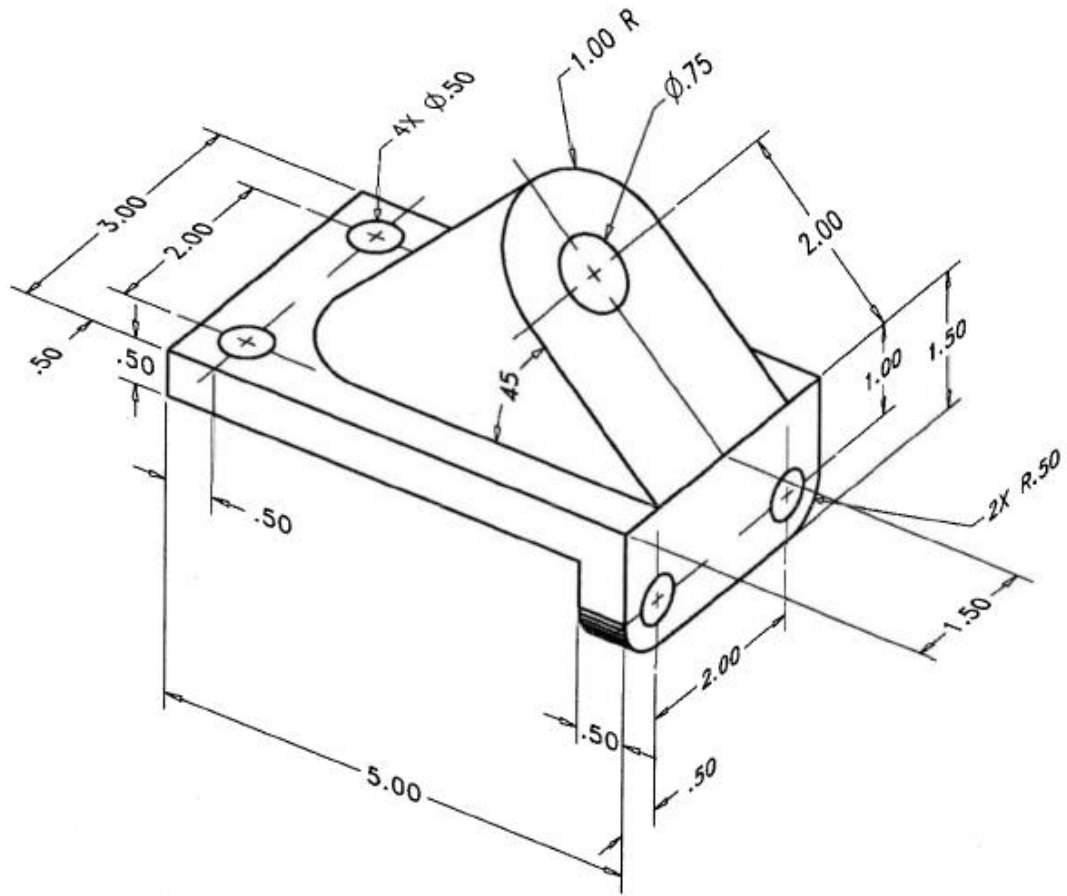


### Drawing 3

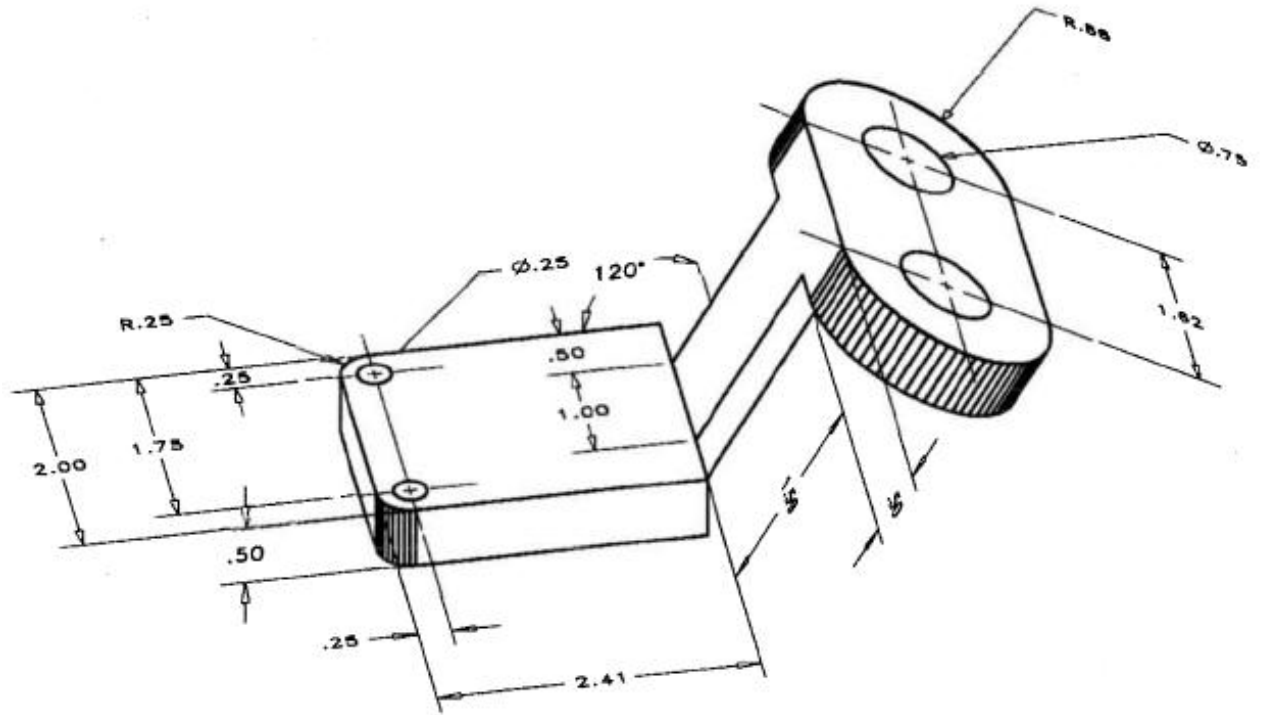




# Drawing 5



# Drawing 6



# Drawing 7

