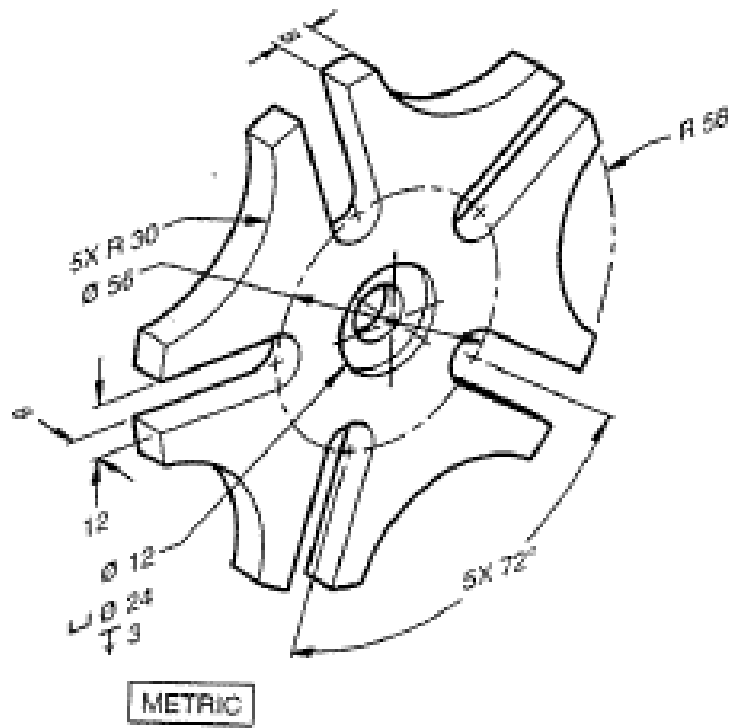


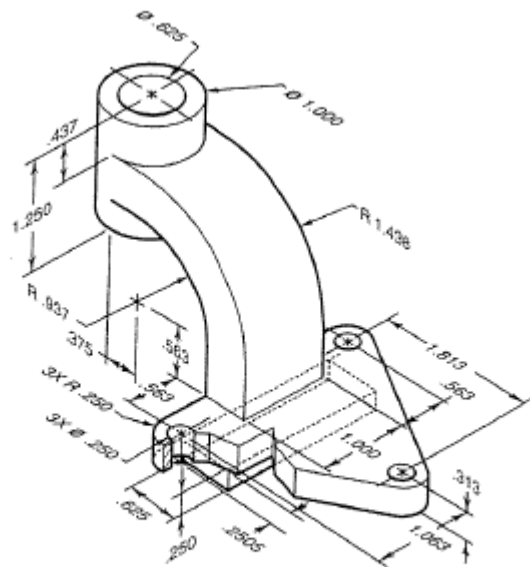
**The Great Computer Challenge**  
**2009**  
**CAD**  
*Level IV*

- Create a 3-D model of each of the shown parts.
  - Create the necessary orthographic views to best describe each part.
  - Make reasonable assumptions for any missing dimensions or information.
  - You can replace the side view with a full or half sectional side view as needed for [extra credit](#).
  - Use the wizard to insert title blocks form or draw a border line using a 0.1 inch wide Pline around your views. This box should have a 1/2 inch margin from the edges of the paper.
  - Add all the information pertaining to yourself and your school in a small title block at the right bottom corner of the border box.
  - You can reuse the title block template and just change the name and number of the drawing.
  - Print your finished work on 8 1/2 x 11 papers and make sure to preview your plot before you send it to the printer.
  - Create as much drawings as you can in the time allowed.
- Good luck

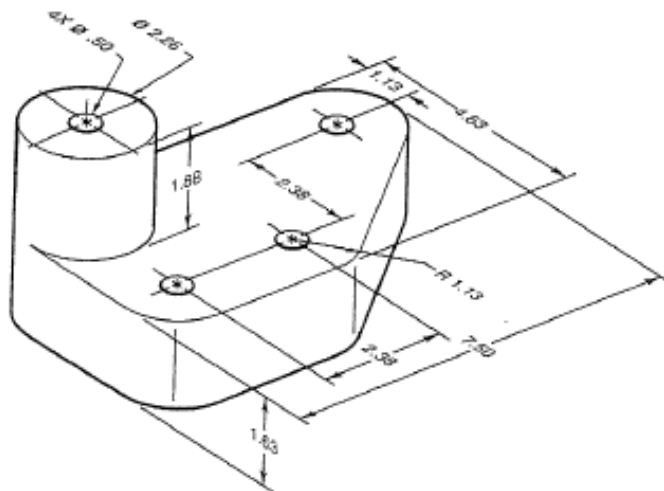


**Figure 10.116**

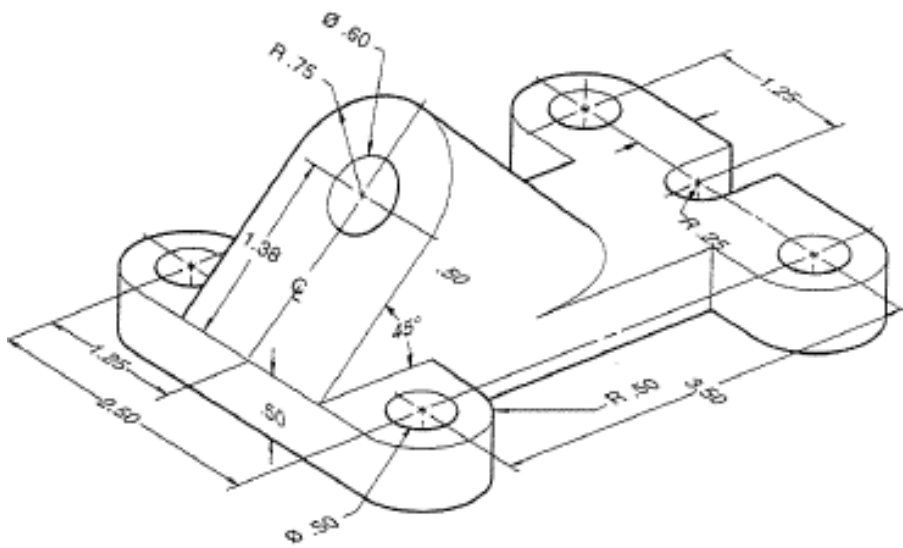
Gear index



**Figure 10.126**  
Pulley support

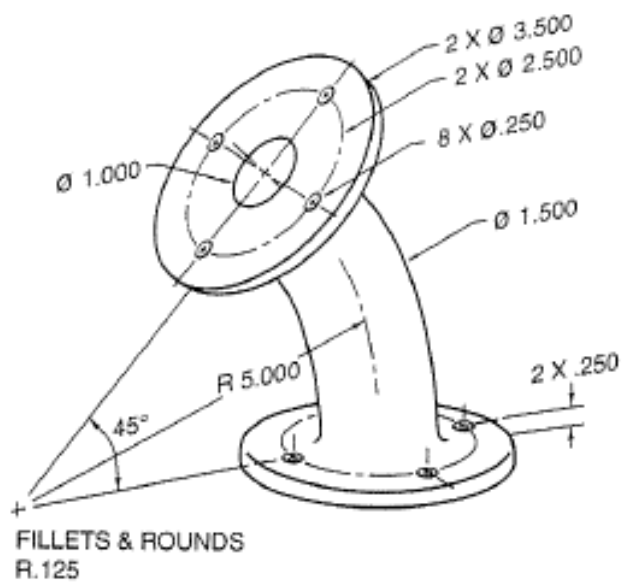


**Figure 10.117**  
Speed spacer



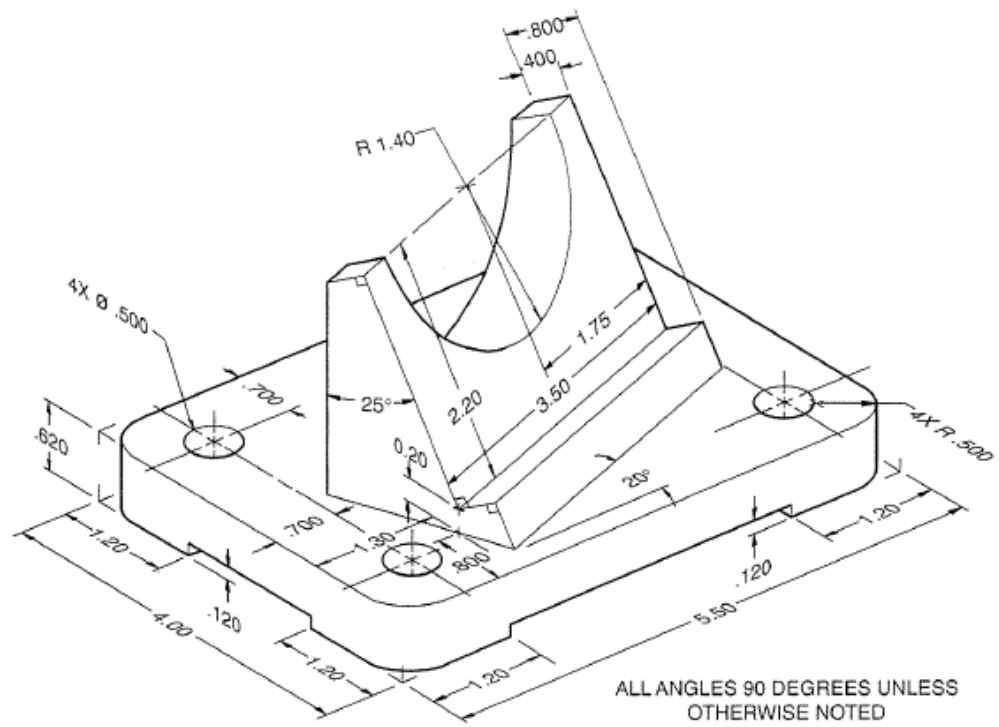
**Figure 13.22**

Automatic stop



**Figure 13.31**

Transition pipe



**Figure 13.35**  
 Oblique support

