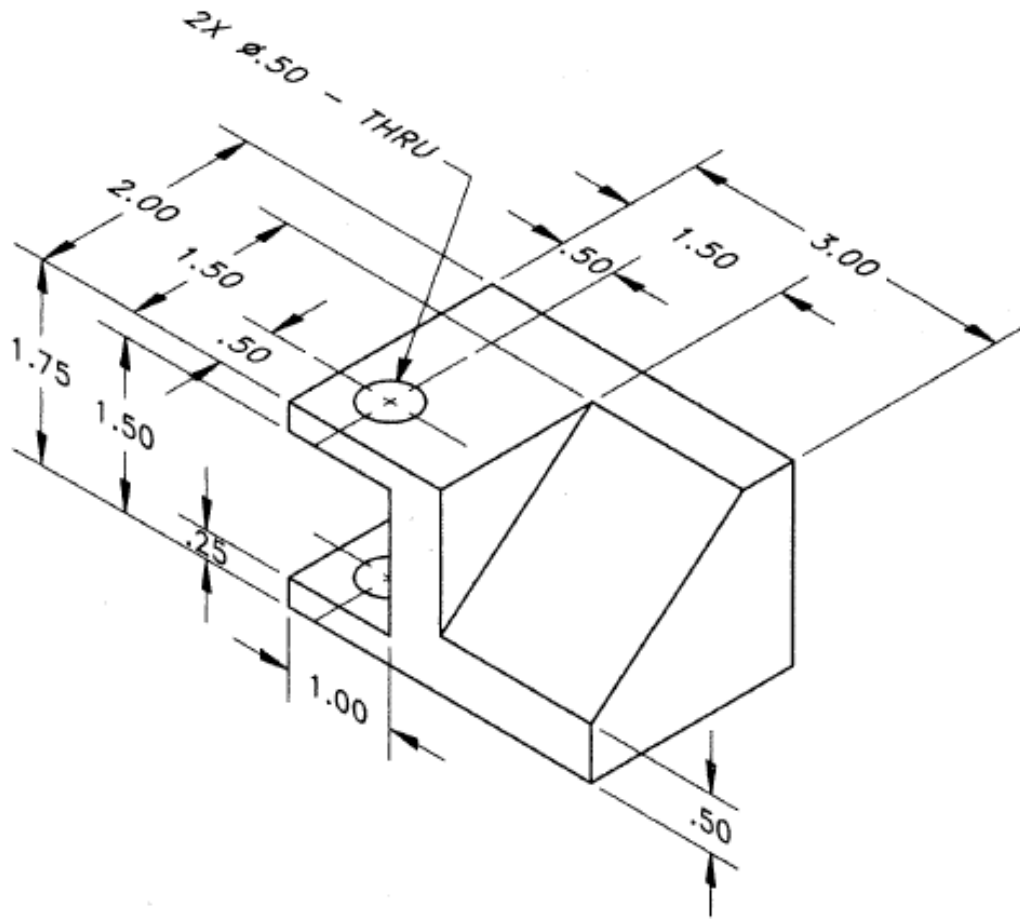


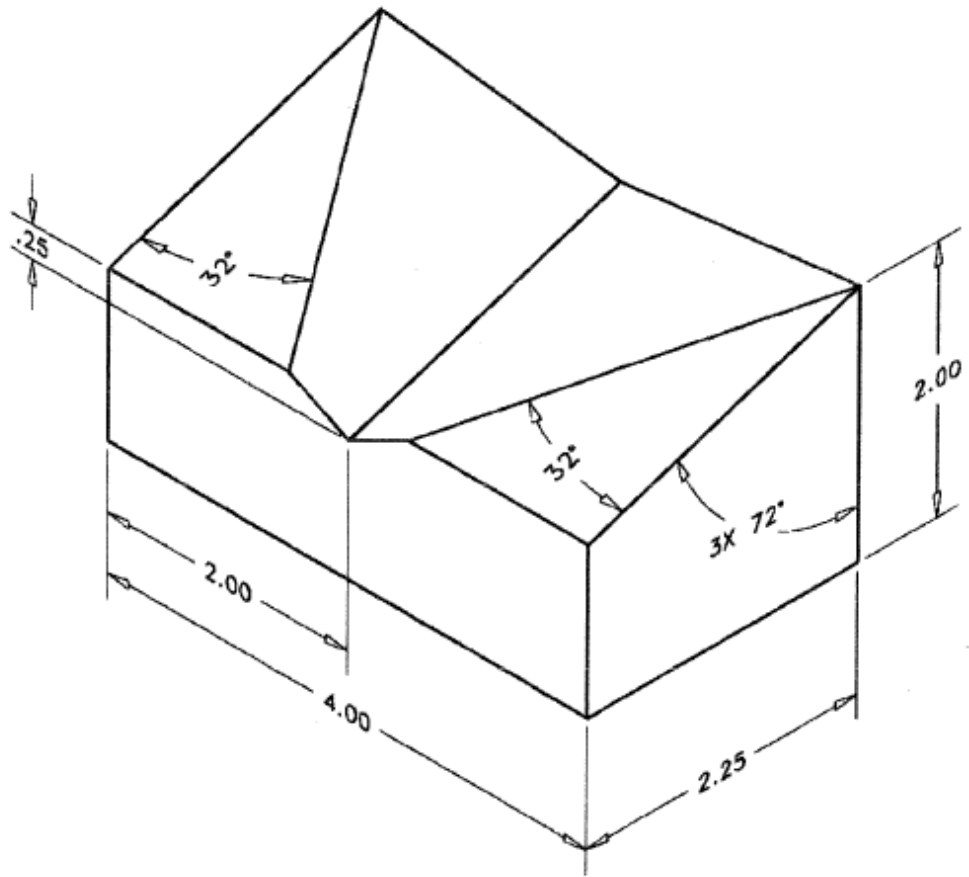
**The Great Computer Challenge**  
**2012**  
**CAD**  
*Level IV*

- **For each part you will create two drawings**
    - Create a 3-D model of each of the shown parts.
    - Create the necessary orthographic views with dimensions.
  - Make reasonable assumptions for any missing dimensions or information.
  - Insert a title block for each drawing and include all the information pertaining to your team and your school.
  - Be sure to save your work and open all drawings when finished for judging. If you have a printer you may print them out for judging.
  - Create as many drawings as you can in the time allowed.
- Good luck

**Drawing 1**

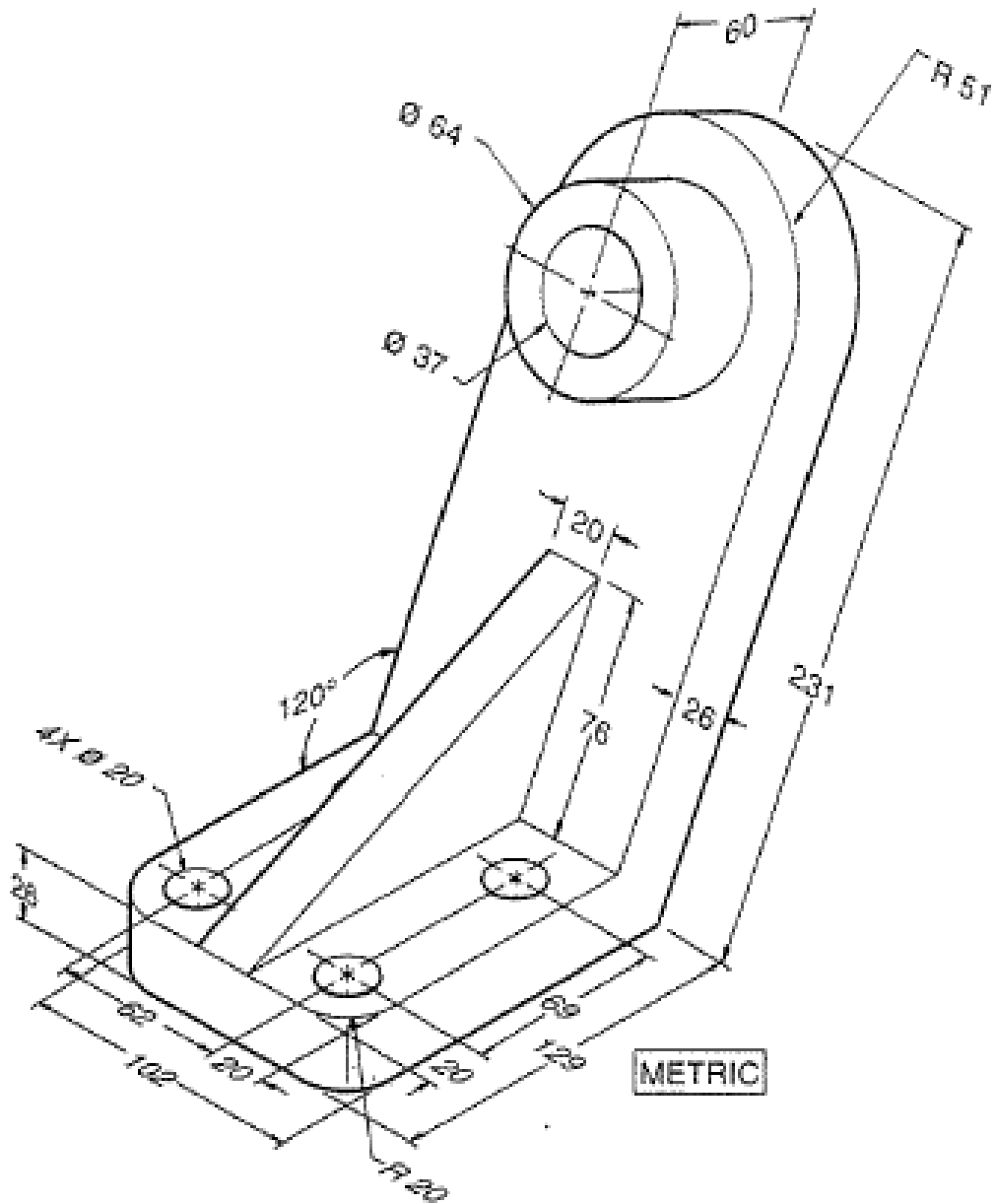


# Drawing 2



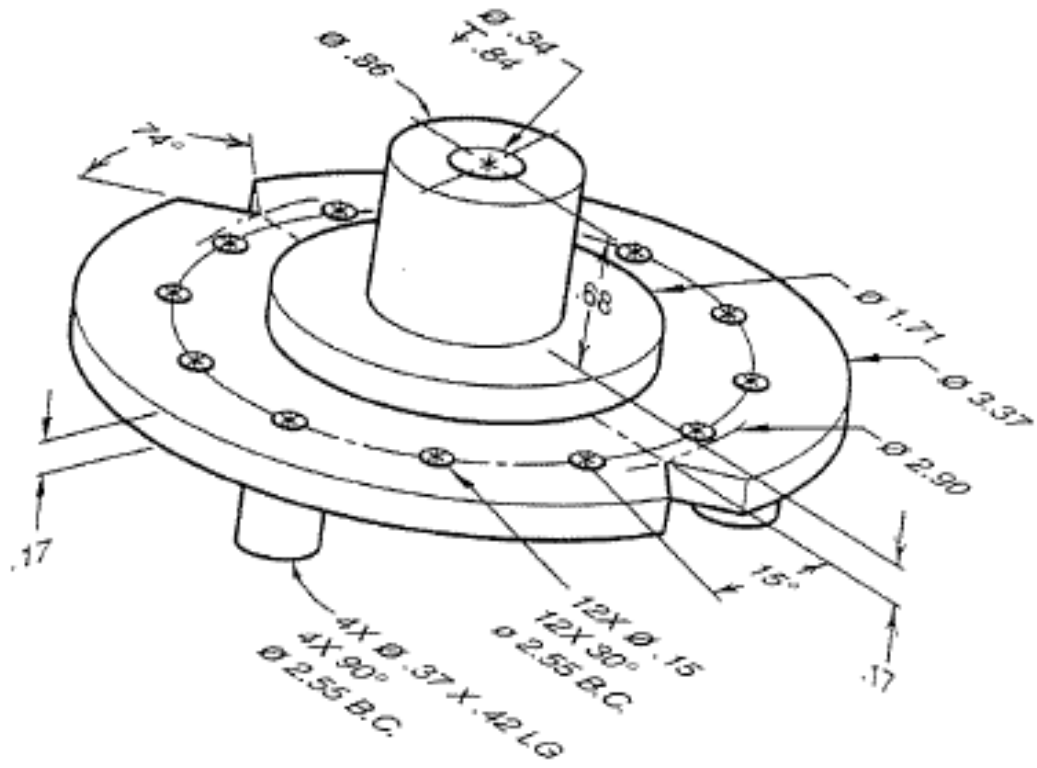


**Drawing 4**

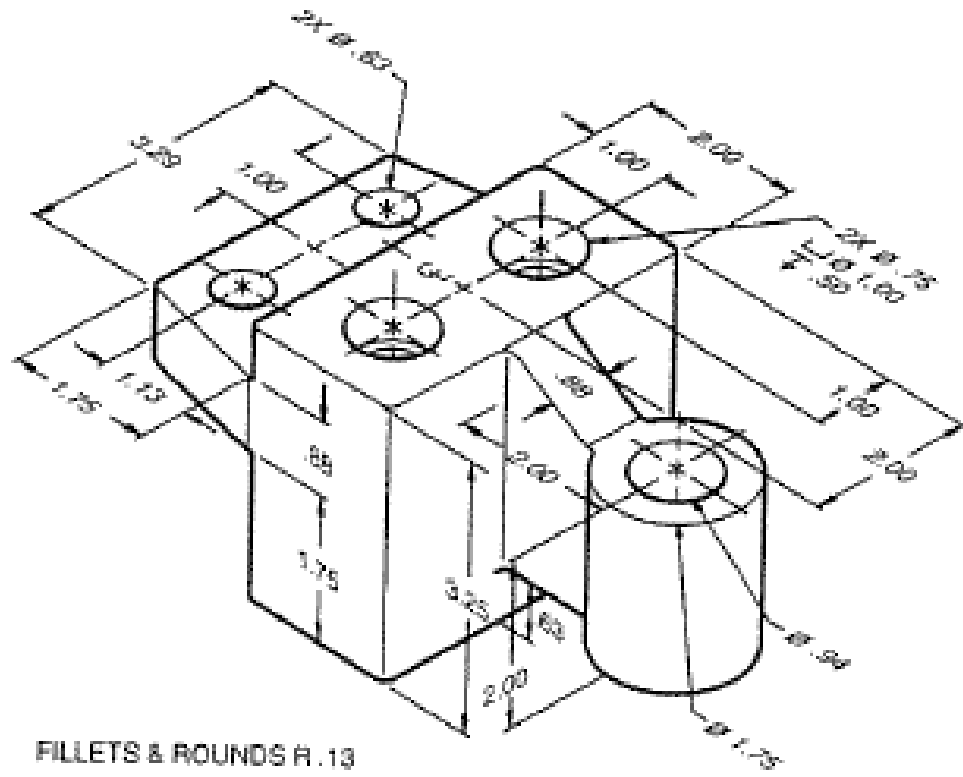


METRIC

# Drawing 5



Drawing 6



Drawing 7

